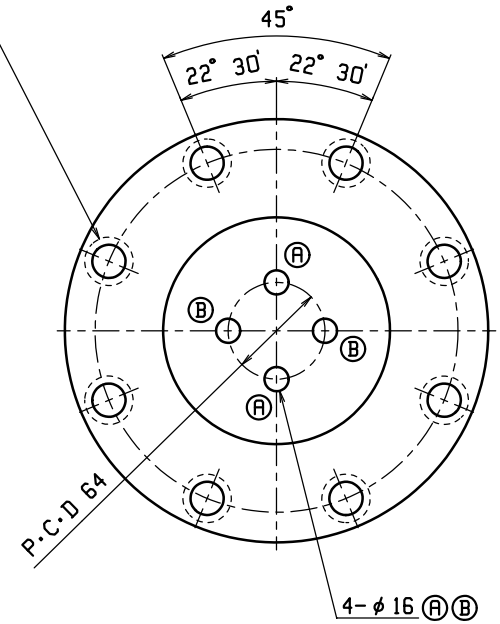


8-φ 22 Through hole
φ 32 Sopt facing 21.5 Depth



Specifications
 Working Pressure : 13.7 MPa (140 kg/cm²)
 Test Pressure : 20.6 MPa (210 kg/cm²)

△		Date	
△		Date	
△		Date	
△	Modification	Draw	Approval

MFG. No.					
MFG. No.					
MFG. No.					
MFG. No.					
DELIVERY	Q'TY	N A M E	MAT'L	REMARKS	

Scale	Messrs.	
1 / 2.5		NAMBU STANDARD
Model		New BII Type
Approval	Feb. 22, 2010 S.Y.	Drawing No.
Check	Feb. 18, 2010 K.N.	RJ08-0500
Draw	Feb. 18, 2010 K.N.	
NAMBU CO., LTD.		TEL 81-3-3742-7377 FRX 81-3-3745-1021